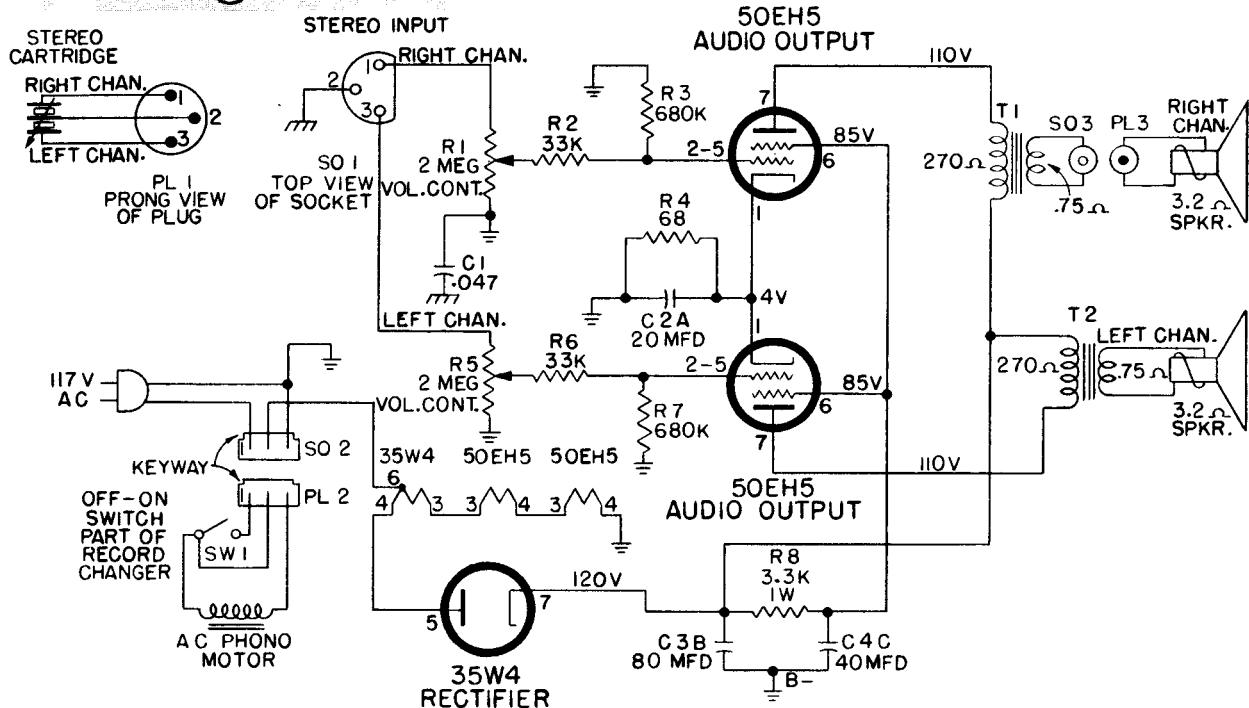


Westinghouse

MODELS H-54ACS1, H-54ACS2,
CHASSIS V-2508-3



NOTES:

1. ALL CAPACITANCE VALUES IN MFD AND ALL RESISTANCE VALUES IN OHMS UNLESS OTHERWISE STATED.
2. ALL VOLTAGES MEASURED FROM B- USING A V.T.V.M. LINE VOLTAGE SET AT 117 V AC READINGS SHOULD BE AS SHOWN $\pm 20\%$.
3. CHASSIS GROUND --- COMMON B- ---

CHASSIS REMOVAL

1. Remove the perforated tube-service cover which is attached to the rear of the speaker baffle by 2 phillips screws.
2. Remove the 4 phillips screws holding the motor board. Lift the motor board.
3. Remove the 2 cable plugs from the sockets on the chassis.
4. Remove the 2 speed nuts holding the chassis to the cabinet front.
5. Disconnect the speaker leads.